

# SONOMA HORSE PARK KICKOFF TO SUMMER SCHOOLING SHOW & TICKETED ROUNDS

JUNE 28 - 30, 2024 | SONOMA HORSE PARK

## SHOW DEADLINES:

Entries close:  
MONDAY, JUNE 24, 2024

## FEATURING:

\$250 HUNT & GO HUNTER DERBY (2' - 2'9)

PRESENTED BY THE EQUESTRIAN'S CONCIERGE

\$250 ALL SET LLC SUNDAY JUMPER CLASSIC (.70M - 1.00M)

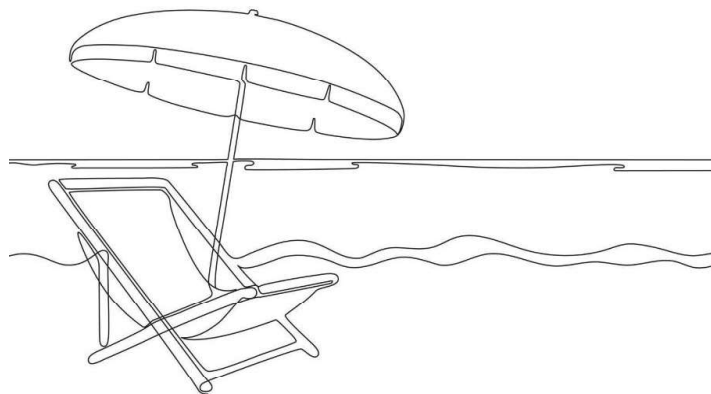
PRESENTED BY ALL SET LLC

SHP MINI MEDAL

PRESENTED BY SONOMA HORSE PARK

## COURSE DESIGNER:

NICOLE DICORTI BUSH



[WWW.SONOMAHORSE PARK.COM](http://WWW.SONOMAHORSE PARK.COM)

# GENERAL INFORMATION

## KICKOFF TO SUMMER SCHOOLING SHOW • JUNE 28 - 30, 2024

1. Show begins promptly at specified time. The arenas will be available for hacking (no jumping) after 12:00PM on Thursday, June 27. On Friday, June 28, the Wells Fargo Grand Prix Arena and Relation Insurance Main Hunter Arena will be available for ticketed schooling for \$50 per round. The Jeak Hunter 2 Arena will be open for schooling all day.
2. Ticketed Rounds will be available throughout each show day as needed while the event is running for entered horses. Each horse with a number may enter at the gate. Please NO JUMPING in the arenas at any other times.
3. Awards to first place, ribbons 1<sup>st</sup> - 8<sup>th</sup> place, with Championship and Reserve in each division. A rider must show in at least 3 classes in the division to be eligible for the Championship. Management reserves the right to combine or cancel classes if less than 2 entries.
4. The Wells Fargo Grand Prix Arena is 350' x 220', the Relation Insurance Main Hunter Arena is 275' x 165' and the Jeak Hunter 2 Arena is 270' x 160'. Arena maintenance shall commence as needed.
5. All riders must wear ASTM-SEI certified headgear and appropriate attire while mounted; formal show attire is not required.
6. Food and beverages will be available for sale on premises on Saturday and Sunday.
7. Stalls are available beginning at 10:00 AM Thursday, June 27. Stalls must be vacated by 6:00 PM Sunday, June 30. If you need alternate arrangements please contact Jak by Monday, June 24th at jak@sonomahorsepark.com.
8. There is limited RV parking available (both 30amp and 50 amp hookups available). RV parking is \$200 and available with a reservation. Please email lauren@sonomahorsepark.com with your info and your RV info if you would like to reserve a space.
9. Entries will close June 24th, any entries received after the closing date will pay a \$50 late entry fee. Cancellations after the close of entries will forfeit their office and stall fees. After the closing date of entries, no refunds will be given unless you meet one of the following requirements:
  - Prior to start of show, entry fees will be refunded less the stall fee and office fee.
  - After the show starts, classes that are scratched in the Horse Show Office before the class has started will be refunded.
  - If the show must be scratched due to inclement weather or unforeseen circumstances, all fees paid will be refunded.

### FOR MORE INFORMATION:

#### SHOW MANAGER/SONOMA HORSE PARK FACILITY MANAGER:

Ashley Herman: 415.518.2145/ashley@sonomahorsepark.com

#### OPERATIONS MANAGER/TECHNICAL COORDINATOR:

Jak Kuba: 707.477.0254/jak@sonomahorsepark.com

#### OFFICE MANAGER/HORSE SHOW SECRETARY:

Lauren Kee: 415.527.8164/lauren@sonomahorsepark.com

#### ANNOUNCERS:

Mrs. Lauren Schultz

Ms. Annie Bennett

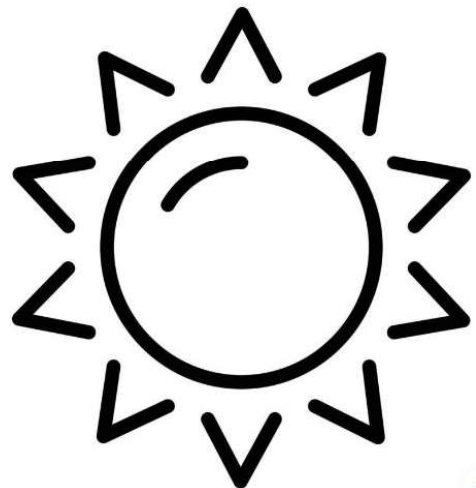
Ms. Grace Walker

#### ADDRESS:

Sonoma Horse Park  
7600 Lakeville Highway, Petaluma, CA 94954

#### DIRECTIONS:

- 101 North - From San Francisco/Marin: Exit CA-37 toward Napa/Vallejo (5.7 mi). Turn left at Lakeville Road (2 mi). 7600 Lakeville Road is on the left.
- 101 South - From Santa Rosa/Petaluma: Exit CA-116 East toward Napa/Sonoma (.2 mi). Turn left at Lakeville Road (9 mi). 7600 Lakeville Road is on the right.
- I-80 - Sacramento/East Bay: Exit CA-37 toward Napa (16.3 miles). Turn right at Lakeville Road (2 miles). 7600 Lakeville Road is on the left. Follow road to Sonoma Horse Park. At stop sign turn right.



# TICKETED ROUND SCHOOLING

JUNE 28 - 30

Rounds are 90 seconds each. Riders must pick up a back number from the horse show office, then sign up at the back gate for your rounds. Horses may participate in as many ticketed rounds as they would like. Courses will be posted each morning for the day. In the Wells Fargo Grand Prix Arena jumps may not be changed but horses may jump any flagged jump in the arena in the correct direction. In the Relation Insurance Hunter Arena riders may jump all jumps in the arena in any order but heights may not be changed.

HAUL-IN FEE: \$50 (PER HORSE PER DAY)

\$50 PER ROUND

\$50 OFFICE FEE PER HORSE

\$50 MEDIC FEE PER HORSE

\$50 FACILITY FEE PER HORSE

## SCHEDULE FRIDAY, JUNE 28TH

### WELLS FARGO GRAND PRIX ARENA

9:00 - 10:00: .70M

10:15 - 11:30: .80M

Drag Break

12:00 - 1:30: .90M

1:45 - 3:00: 1.00M

3:15 - 4:00: 1.10M - 1.30M as requested

### G2 INSURANCE MAIN HUNTER ARENA

9:00 - 10:30: 2'9

10:45 - 12:30: 2'6

Drag Break

1:00 - 2:30: 2'3

2:45 - 4:00: 2'



# SONOMA HORSE PARK

## RULES AND LIABILITY RELEASE

I HEREBY EXPRESSLY, VOLUNTARILY, AND UNCONDITIONALLY RELEASE, INDEMNIFY AND HOLD HARMLESS Howard Herman, Marcia Herman, Meredith Herman, Ashley Herman, Burgundy Farms, Riverside Equestrian Center, Sonoma Horse Park, their owners, officers, members, agents, employees, licensees and invitees, as well as any other person, firm, corporation, company, entity, or anyone in any way connected with the ownership and management of the show premises and the Horse Show, or in control of the premises or equipment related thereto (collectively, "Releasees") from and against ANY AND ALL CLAIMS FOR INJURIES, DAMAGES, AND/OR LOSSES connected with participation in this Horse Show. This includes, but is not limited to, claims for monetary damages, attorney's fees, costs, losses, and/or causes of action against Releasees for any and all Harm to me or my horse(s) and for any Harm caused or contributed in any way to by me or my horse(s) to others, arising out of or in any way connected with participation in this Horse Show, and includes reimbursement of Releasees' costs and attorney's fees incurred in defense of such claims. I further agree to this release, indemnification, and holding harmless WHETHER OR NOT SUCH CLAIM, INJURY, DAMAGE, OR LOSS RESULTED, DIRECTLY OR INDIRECTLY, FROM MY NEGLIGENT ACTS OR OMISSIONS OR THE NEGLIGENT ACTS OR OMISSIONS OF RELEASEES, to the fullest extent allowed by law. I also acknowledge that no representations or warranties, whether oral or written, implied or expressed, have been made by Releasees concerning the Horse Show premises, the Horse Show event, or the activities at Burgundy Farms, Riverside Equestrian Center, and/or Sonoma Horse Park, or any other matter.

**MANAGEMENT:** The Horse Show Manager reserves the right to itself to interpret all questions and conditions in regard to, or arising out of, or incident to the show without claims for damages or recourse of any kind. All questions not covered in these Rules and Regulations shall be decided by the horse show manager; its decision to be final.

**RESPONSIBILITY:** The Horse Show Manager reserves to itself the right to refuse, accept conditionally, or to cancel any entries, disqualify any riders or exhibitors, prohibit exhibition of entries, and cancel award prizes, without claim for damages; to change any course, to cancel or combine any unfilled classes, or to reschedule classes as competition warrants

**CONDITION OF ENTRY:** Every horse entered herein for competition will be under the control of the Horse Show Manager, but the horse show manager will in no case be responsible for any loss or damage that may occur, and it shall be a condition of entry that each exhibitor shall hold the individual horse shows and the officials, employees, directors, officers, sponsoring entities, Sonoma Horse Park, Riverside Equestrian Center, Giant Steps, Headlands Management, Inc. and its employees, directors, officers, sponsoring entities of each horse show and the facilities at which each horse show is held blameless for any loss or accident to his horse(s), employee(s), or equipment which may occur from sickness, fire or other cause. All owners and exhibitors shall be responsible for any damage incurred by them, their agents or employees to stalls, buildings, and other properties on the show grounds, and shall be billed accordingly.

### READ AND AGREED BY:

Rider's Signature \_\_\_\_\_ Date: \_\_\_\_\_

Address: \_\_\_\_\_

City, State, ZIP: \_\_\_\_\_

Phone #: \_\_\_\_\_

E-Mail address: \_\_\_\_\_

### IF MINOR, PARENT OR LEGAL GUARDIAN MUST SIGN THIS RELEASE:

I, the undersigned parent or guardian of the above child, agree that the terms and conditions of this release of liability shall be binding as to damage or injury to my minor arising out of his/her participation. I acknowledge that I have read this release of liability and know and understand its contents.

Parent (Print): \_\_\_\_\_ Date: \_\_\_\_\_ Parent Signature: \_\_\_\_\_

# CLASS LIST

KICKOFF TO SUMMER SCHOOLING SHOW • JUNE 28 - 30, 2024

CLASS NUMBER	HUNTER/EQUITATION DIVISIONS	FENCE HEIGHT	CLASS NUMBER	JUMPER DIVISIONS	FENCE HEIGHT
CROSS RAIL			.70M JUMPERS		
1	Cross Rail Hunters	18"	100	.70m Jumpers	.70m
2	Cross Rail Hunters	18"	101	.70m Jumpers	.70m
3	Cross Rail Hunters Undersaddle	U/S	103	.70m Jumpers	.70m
4	Cross Rail Equitation	18"	.80M JUMPERS		
5	Cross Rail Equitation	18"	110	.80m Jumpers	.80m
6	Cross Rail Equitation Flat	FLAT	111	.80m Jumpers	.80m
7, 8	Cross Rail Jumpers (Optimum Time)	18"	113	.80m Jumpers	.80m
9, 10	Cross Rail Jumpers (Optimum Time)	18"	.90M JUMPERS		
WALK			120	.90m Jumpers	.90m
12	Walk Poles	3"	121	.90m Jumpers	.90m
14	Walk Poles	3"	123	.90m Jumpers	.90m
WALK TROT			1.00M JUMPERS		
20	Walk Trot Poles - Hunter	3"	130	1.00m Jumpers	1.00m
21	Walk Trot Pleasure	U/S	131	1.00m Jumpers	1.00m
22	Walk Trot Hunter Under Saddle	U/S	133	1.00m Jumpers	1.00m
23	Walk Trot Poles - Equitation	3"			
24	Walk Trot Pleasure	FLAT			
25	Walk Trot Equitation	FLAT			
BEGINNER HUNTERS (NO FILL, NO OXERS)					
30	Beginner 18"	18"	CLASS NUMBER	SPECIAL CLASSES	FENCE HEIGHT
31	Beginner 18"	18"	201	EQ Hunt & Go Hunter Derby	2'3-2'9
32	Beginner 18"	U/S	207	2' SHP Mini Hunter Derby	2'
33	Beginner 18" Equitation	18"	202	SHP Mini Medal - test in course	2'
34	Beginner 18" Equitation	18"	203	SHP Mini Medal - test in course	2'3
35	Beginner 18" Equitation	FLAT	204	SHP Mini Medal - test in course	2'6
2' HUNTERS (WITH FILL, NO OXERS)					
40	2' Hunters	2'	205	SHP Mini Medal - test in course	2'9
41	2' Eq	2'	206	All Set LLC Jumper Classic	.70m-1.0m
42	2' Hunters	U/S	250	Watermelon Eating Contest	\$10
43	2' Hunters	2'			
44	2' Eq	2'			
45	2' Eq Flat	FLAT			
2'3 HUNTERS					
50	2'3 Hunters	2'3	CLASS FEES		
51	2'3 Eq	2'3	Hunter/Eq Individual Classes \$40		
52	2'3 Hunters	U/S	Jumper Individual Classes \$55		
53	2'3 Hunters	2'3			
54	2'3 Eq	2'3			
55	2'3 Eq Flat	FLAT			
2'6 HUNTERS					
60	2'6 Hunters	2'6			
61	2'6 Eq	2'6			
62	2'6 Hunters	U/S			
63	2'6 Hunters	2'6			
64	2'6 Eq	2'6			
65	2'6 Eq Flat	FLAT			
2'9 HUNTERS					
70	2'9 Hunters	2'9			
71	2'9 Eq	2'9			
72	2'9 Hunters	U/S			
73	2'9 Hunters	2'9			
74	2'9 Eq	2'9			
75	2'9 Eq Flat	FLAT			

## CLASS LIST *(continued)*

KICKOFF TO SUMMER SCHOOLING SHOW • JUNE 28 - 30, 2024

### SPECIAL CLASSES SPECIFICATIONS

---

- 201 The Equestrian's Concierge Hunt & Go Hunter Derby will consist of one round at specified division heights of 2'3, 2'6, 2'9. All heights will be judged and scored together and prizes awarded as one class. Riders will compete over one round of standard hunters jumps of 10 - 12 fences. The first half of the course will be the "classic" section of the course, and the second half will be the "handy" section of the course. Course to be ridden continuously from classic to handy sections. The top ten riders will return for ribbons and a victory gallop. Prize money is paid in a winner-take-all format in the form of a gift certificate to The Equestrian's Concierge.
- 207 The 2' SHP Mini Hunter Derby will consist of one hunter type round at 2' with fill and no oxers. Riders will compete over one round of standard hunter jumps of 7-9 fences. Special ribbons to 8th place will be awarded with prizes available to the top three finishers.
- 202 The SHP Mini Medal (2') will consist of one round at 2' with fill and no oxers. Riders will compete over a medal round with tests included in the course. Test may include: roll backs, bending lines, trot fences, halts, and other basic equitation tests. Course not to exceed 10 jumps over hunter type fences. Ribbons will be awarded to 8th.
- 203, 204, 205 The SHP Mini Medal will consist of one round at the selected height. Riders will compete over a medal round with tests included in the course. Test may include: roll backs, bending lines, trot fences, halts, and other basic equitation tests. Course not to exceed 12 jumps over hunter type fences. Ribbons will be awarded to 8th.
- 206 The All Set LLC Jumper Classic will consist of one round and a jump-off over standard jumper jumps at specified division heights of .70m, .80m, .90m, or 1.00m. All heights will be judged and scored together and prizes awarded as one class. Class to be scored under table 2.2b. For .70m and .80m heights, the course will not include combinations, for .90m and 1.00m heights, the course will include at least 1 combination. Standard jumper tack and attire is required. The top ten riders will return for ribbons and a victory gallop. Prize money to be paid in a winner-take-all format.



# SCHEDULE

KICKOFF TO SUMMER SCHOOLING SHOW • JUNE 28 - 30, 2023

## SATURDAY

### CLASS # WELLS FARGO GRAND PRIX ARENA

100	.70m Jumpers 2.2b	.70m
101	.70m Jumpers 2.1	.70m
110	.80m Jumpers 2.2b	.80m
111	.80m Jumpers 2.1	.80m
120	.90m Jumpers 2.2b	.90m
121	.90m Jumpers 2.1	.90m
130	1.00m Jumpers 2.2b	1.00m
131	1.00m Jumpers 2.1	1.00m
	1.10m Ticketed Schooling	1.10m
	1.20m Ticketed Schooling	1.20m
	1.30m Ticketed Schooling	1.30m

### CLASS # G2 INSURANCE MAIN HUNTER ARENA

50	2'3 Hunters	2'3
51	2'3 Equitation	2'3
203	2'3 SHP Mini Medal	2'3
52	2'3 Hunters U/S	U/S
60	2'6 Hunters	2'6
61	2'6 Equitation	2'6
204	2'6 SHP Mini Medal	2'6
62	2'6 Hunters U/S	U/S
70	2'9 Hunters	2'9
71	2'9 Equitation	2'9
205	2'9 SHP Mini Medal	2'9
72	2'9 Hunters U/S	U/S

### CLASS # JEAK HUNTER 2 ARENA

40	2' Hunters (with fill, no oxers)	2'
41	2' Equitation (with fill, no oxers)	2'
202	SHP Mini Medal (with fill, no oxers)	2'
42	2' Hunters U/S	U/S
12	Walk Poles	3"
20	Walk Trot Poles - Hunter	3"
21	Walk Trot Pleasure	FLAT
22	Walk Trot U/S	U/S
1	Cross Rail Hunters	1'
2	Cross Rail Hunters	1'
3	Cross Rails U/S	U/S
7.8	Cross Rail Jumpers	18"
30	Beginning Verticals Hunters	18"
31	Beginning Verticals Hunters	18"

### VIP BERM AT CONCLUSION OF SHOW DAY

250 Watermelon Eating Contest

## SUNDAY

### CLASS # WELLS FARGO GRAND PRIX ARENA

103	.70m Jumpers 2.1	.70m
206A	All Set LLC Jumper Classic - Open Card	.70m
113	.80m Jumpers 2.1	.80m
206B	All Set LLC Jumper Classic - Open Card	.80m
123	.90m Jumpers 2.1	.90m
206C	All Set LLC Jumper Classic - Open Card	.90m
133	1.00 Jumpers 2.1	1.00m
206D	All Set LLC Jumper Classic - Open Card	1.00m
206	All Set LLC Jumper Classic Presentation	
	1.10m Ticketed Schooling	1.10m
	1.20m Ticketed Schooling	1.20m
	1.30m Ticketed Schooling	1.30m

### CLASS # G2 INSURANCE MAIN HUNTER ARENA

53	2'3 Hunters	2'3
54	2'3 Equitation	2'3
201A	Hunt & Go Hunter Derby - Open Card	2'3
55	2'3 Equitation Flat	FLAT
63	2'6 Hunters	2'6
64	2'6 Equitation	2'6
201B	Hunt & Go Hunter Derby - Open Card	2'6
65	2'6 Equitation Flat	FLAT
73	2'9 Hunters	2'9
74	2'9 Equitation	2'9
201C	Hunt & Go Hunter Derby - Open Card	2'9
75	2'9 Equitation Flat	FLAT
201	Hunt & Go Hunter Derby Presentation	

### CLASS # JEAK HUNTER 2 ARENA

43	2' Hunters (with fill, no oxers)	2'
44	2' Equitation (with fill, no oxers)	2'
207	SHP Mini Hunter Derby (with fill, no oxers)	2'
45	2' Equitation Flat	FLAT
14	Walk Poles	3"
23	Walk Trot Poles - Equitation	3"
24	Walk Trot Pleasure	FLAT
25	Walk Trot Equitation	FLAT
4	Cross Rail Equitation	1'
5	Cross Rail Equitation	1'
6	Cross Rail Equitation Flat	FLAT
9.10	Cross Rail Jumpers	18"
33	Beginning Verticals Equitation	18"
34	Beginning Verticals Equitation	18"
35	Beginning Verticals Equitation Flat	FLAT

ENTRIES CLOSE: JUNE 24, 2024

SHP KICKOFF TO SUMMER

JUNE 28 - 30, 2024

**OWNER OR AUTHORIZED AGENT**

**RIDER 1**

**TRAINER**

Owner Name	Rider Name	Trainer Name
Address	Address	Address
City State ZIP	City State ZIP	City State ZIP
Social Security # or TIN #	Phone E-Mail	Phone E-Mail
Phone E-Mail	Date of Birth	Cell Phone

**RIDER 2**

**RIDER 3**

**NAME OF HORSE**

Rider Name	Rider Name	AGE	COLOR	SEX	HEIGHT
Address	Address				
City State ZIP	City State ZIP				
Phone E-Mail	Phone E-Mail				

**RIDER**

**CLASSES**


**FEES**

<b>MISC FEES:</b> Ambulance Fee @ \$50 Trailer In Fee @ \$50 (per horse per day) Office Fee @ \$50 Facility Fee @ \$50 10 x 10 Stalls: Horse Stall @ \$200 Tack/Groom @ \$200 RV @ \$225	<b>CLASS FEES:</b> Hunter Classes: \$40 Jumper Classes: \$55	<b>OTHER:</b> Ticketed Rounds @ \$50 Late fee: \$50/horse Late Close-Out Fee: \$50/horse
---	--	---

Sonoma Horse Park  
Enter online at [showgroundslive.com](http://showgroundslive.com)  
or email copy of entry blank to [lauren@sonomahorsepark.com](mailto:lauren@sonomahorsepark.com)

Stable With: